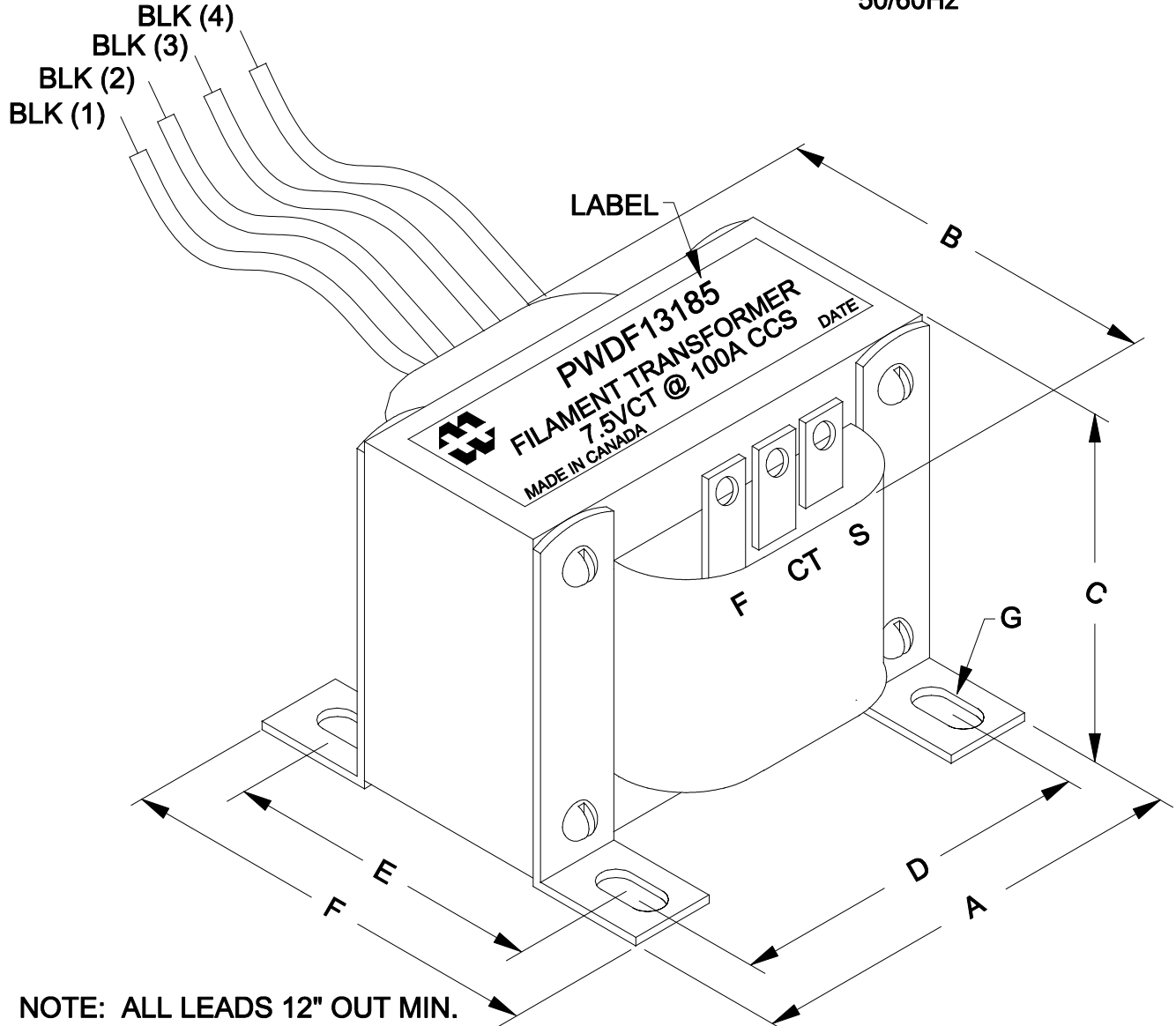
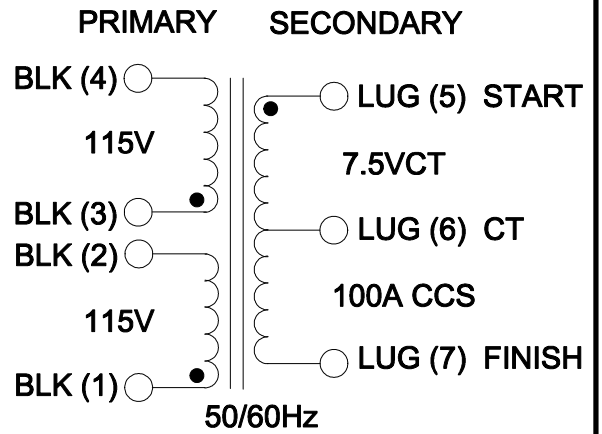


DIMENSIONS:	
A	5.750" ±0.063
B	6.500" ±0.125
C	4.250" ±0.063
D	4.938" ±0.063
E	4.625" ±0.063
F	5.750" ±0.063
G	0.281" X 0.563" ±0.015



NOTE: ALL LEADS 12" OUT MIN.



ELECTRONIC DIVISION
 52 RANKIN PLACE,
 WATERLOO, ONTARIO, N2J 3Z5
 PH # (519) 886-6181
 FAX # (519) 886-9540

TITLE
FILAMENT TRANSFORMER

NO	DATE	REVISION	DWG. BY
0	02/12/20	RELEASED.	C. ILIE
			DATE
			02/12/20
			DIM IN(X)MM()

PWDF13185