

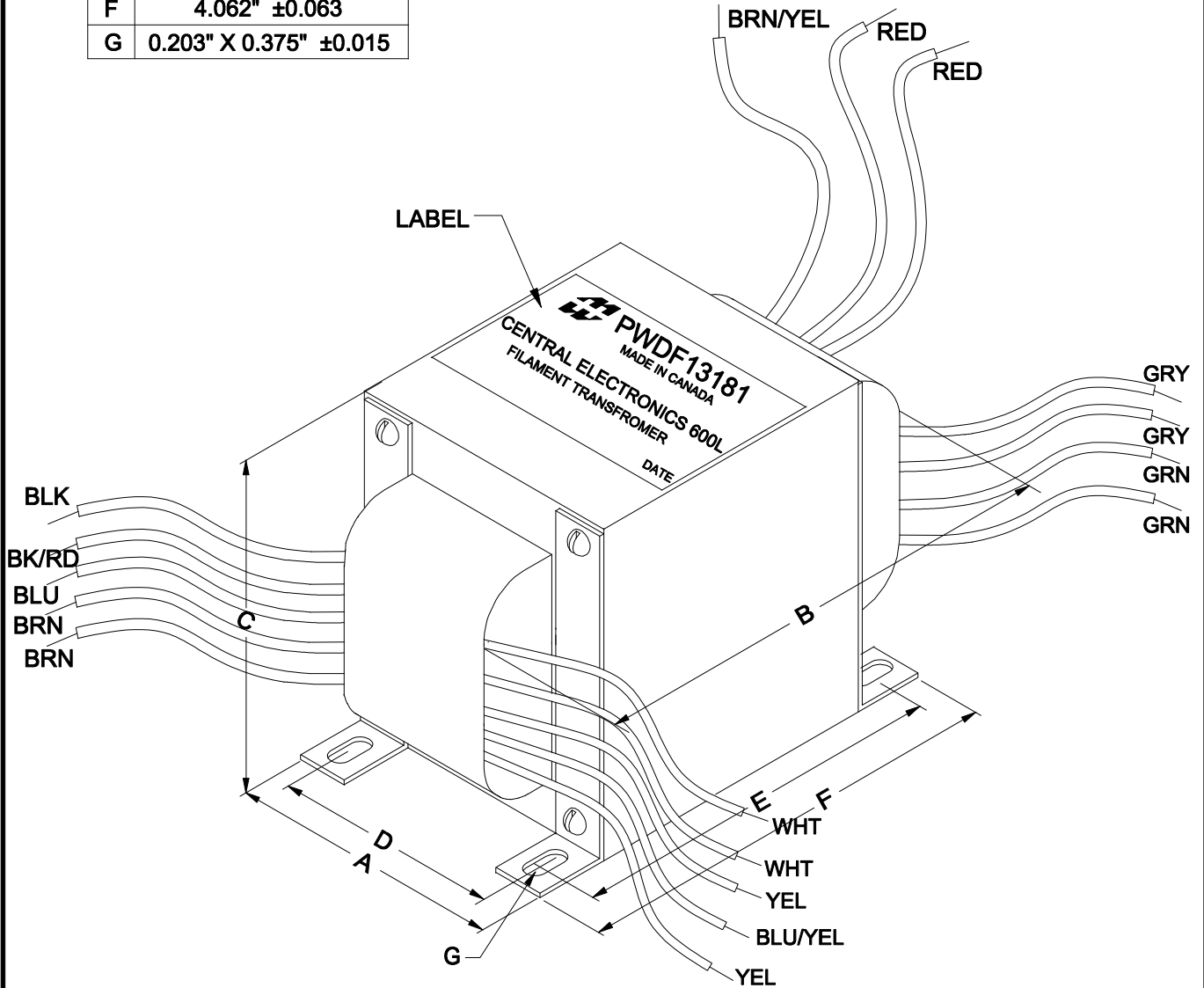
**ELECTRONIC DIVISION**  
 52 RANKIN PLACE,  
 WATERLOO, ONTARIO, N2J 3Z5  
 PH # (519) 886-6181  
 FAX # (519) 886-9540

TITLE  
**CENTRAL ELECTRONICS 600L**  
 FILAMENT TRANSFORMER  
 PAGE 1 OF 2

NO	DATE	REVISION	DWG. BY
0	01/29/20	RELEASED. C.I.	C. ILIE
1	01/30/20	PRIMARY VOLTAGE REVISED. C.I.	DATE
			01/29/20
			DIM IN(X)MM( )

PWDF13181

DIMENSIONS:	
A	2.813" ±0.063
B	4.250" ±0.125
C	3.375" ±0.063
D	2.250" ±0.063
E	3.500" ±0.063
F	4.062" ±0.063
G	0.203" X 0.375" ±0.015



NOTE: ALL LEADS 18.0" LONG OUT MIN.



**ELECTRONIC DIVISION**  
 52 RANKIN PLACE,  
 WATERLOO, ONTARIO, N2J 3Z5  
 PH # (519) 886-6181  
 FAX # (519) 886-9540

TITLE **CENTRAL ELECTRONICS 600L**  
**FILAMENT TRANSFORMER** PAGE 2 OF 2

NO	DATE	REVISION	DWG. BY
0	01/29/20	RELEASED. C.I.	C. ILIE
			DATE
			01/29/20
			DIM IN(X)MM( )

PWDF13181