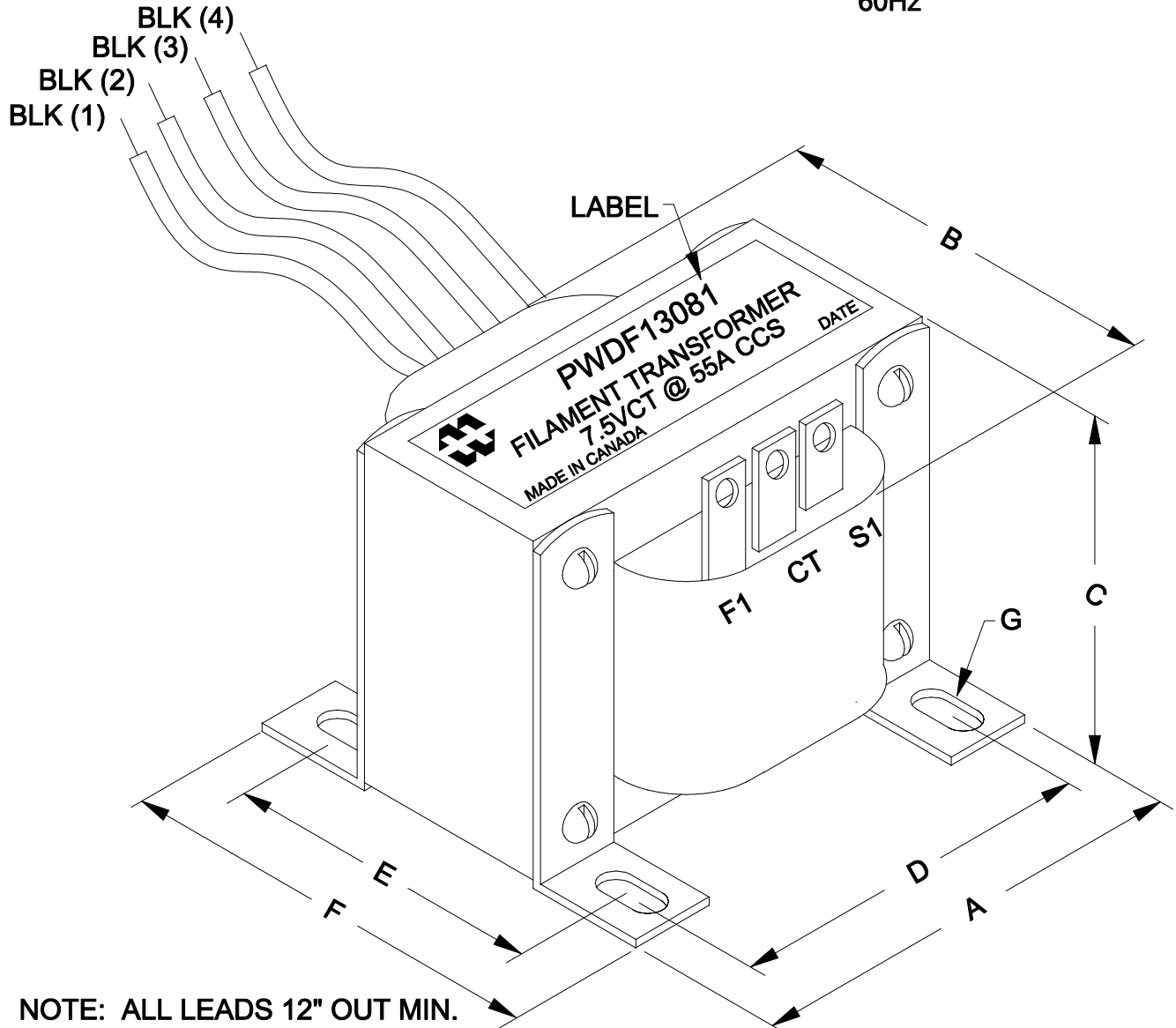
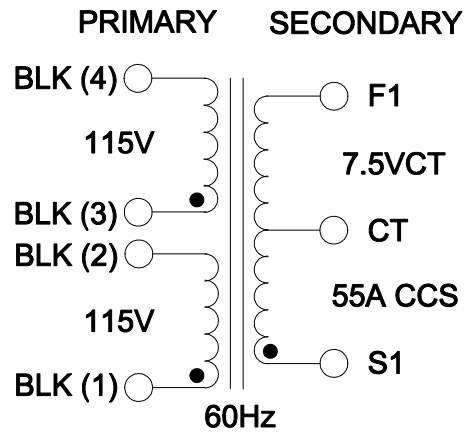


DIMENSIONS:	
A	5.750" ±0.063
B	5.150" ±0.125
C	4.250" ±0.063
D	4.938" ±0.063
E	3.125" ±0.063
F	4.250" ±0.063
G	0.281" X 0.563" ±0.015



ELECTRONIC DIVISION
 52 RANKIN PLACE,
 WATERLOO, ONTARIO, N2J 3Z5
 PH # (519) 886-6181
 FAX # (519) 886-9540

TITLE
FILAMENT TRANSFORMER

NO	DATE	REVISION	DWG. BY
0	09/04/18	RELEASED.	C. ILIE
			DATE
			09/04/18
			DIM IN(X)MM()

PWDF13081