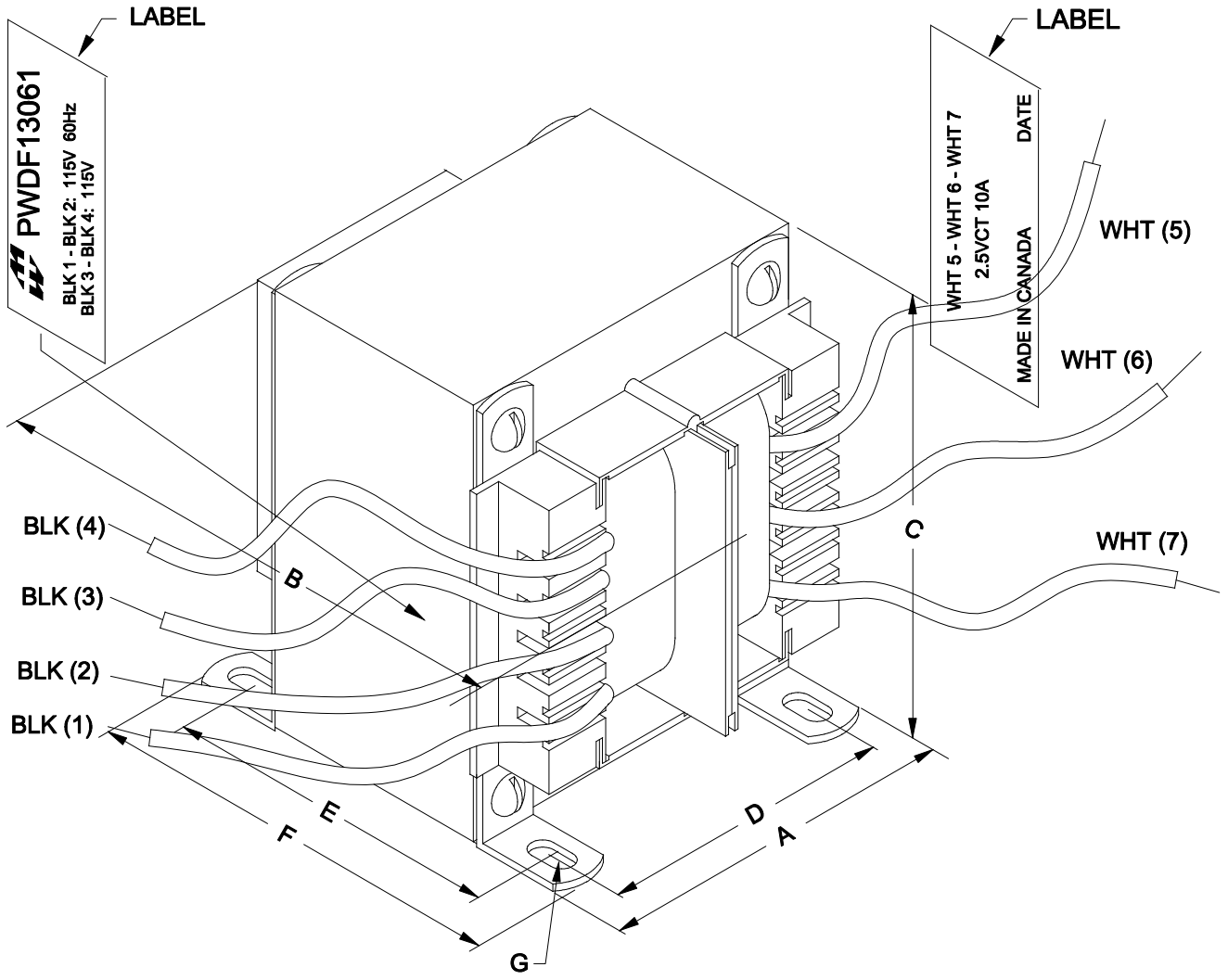
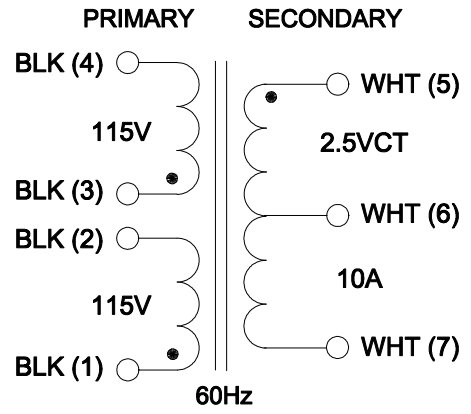


DIMENSIONS:	
A	2.500" ±0.063
B	2.600" ±0.063
C	3.030" ±0.063
D	2.000" ±0.063
E	2.250" ±0.063
F	2.812" ±0.063
G	0.203" x 0.375" ±0.015



NOTE: ALL LEADS 12" OUT MIN.

DIELECTRIC STRENGTH TEST: 10KVDC



**ELECTRONIC DIVISION**  
 52 RANKIN PLACE,  
 WATERLOO, ONTARIO, N2J 3Z5  
 PH # (519) 886-6181  
 FAX # (519) 886-9540

TITLE  
**PETER DAHL**  
**COLLINS KWS-1 HV FILAMENT T-502**

NO	DATE	REVISION	DWG. BY
0	05/26/15	PRELIMINARY. C.I.	CORINA ILIE
			DATE
			05/26/15
			DIM IN( )MM( )

PWDF13061